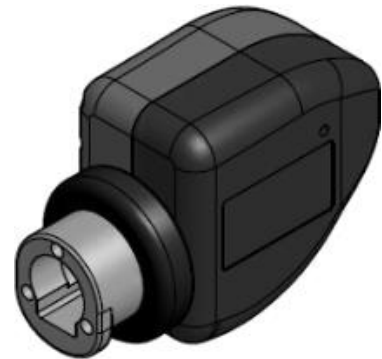


RFID wireless antenna for refuelling system automation CPT03119 series



Model for nozzle



Handheld model

The RFID wireless antenna for fuel refuelling system automation is made in two versions, for delivery nozzle and handheld model.

The model to be mounted on the delivery nozzles is suitable for the ELAFLEX ZVA25 and ZVA SL2 models.

The antenna kits are available in the standard version (with antenna incorporated in the nozzle body) or in the high-sensitivity version HS (with external antenna). The HS version is suitable for use with vehicles with the tank nozzle difficult to reach.

Main characteristics

- Power supply: 3,6 – 7,2 V
- Battery: 3.6 V Lithium (Complies with EN60079-11)
- Autonomy: 2-8 years
- Reading frequency: 134 kHz
- Transmission frequency: 868 MHz
- Flow rate: 10 m

Examples of application



Antenna wireless kit codes

CPT03119	/VERSION
	/1: handheld /2: for ZVA SL2 (Standard) nozzle /3: for ZVA 25 (Standard) nozzle /4: for ZVA 25 (High-sensitivity) nozzle /5: for ZVA SL2 (High-sensitivity) nozzle /6: for ZVA SL2 GR nozzle (not available) /7: for ZVA AdBlue®

Specification subject to change without notice